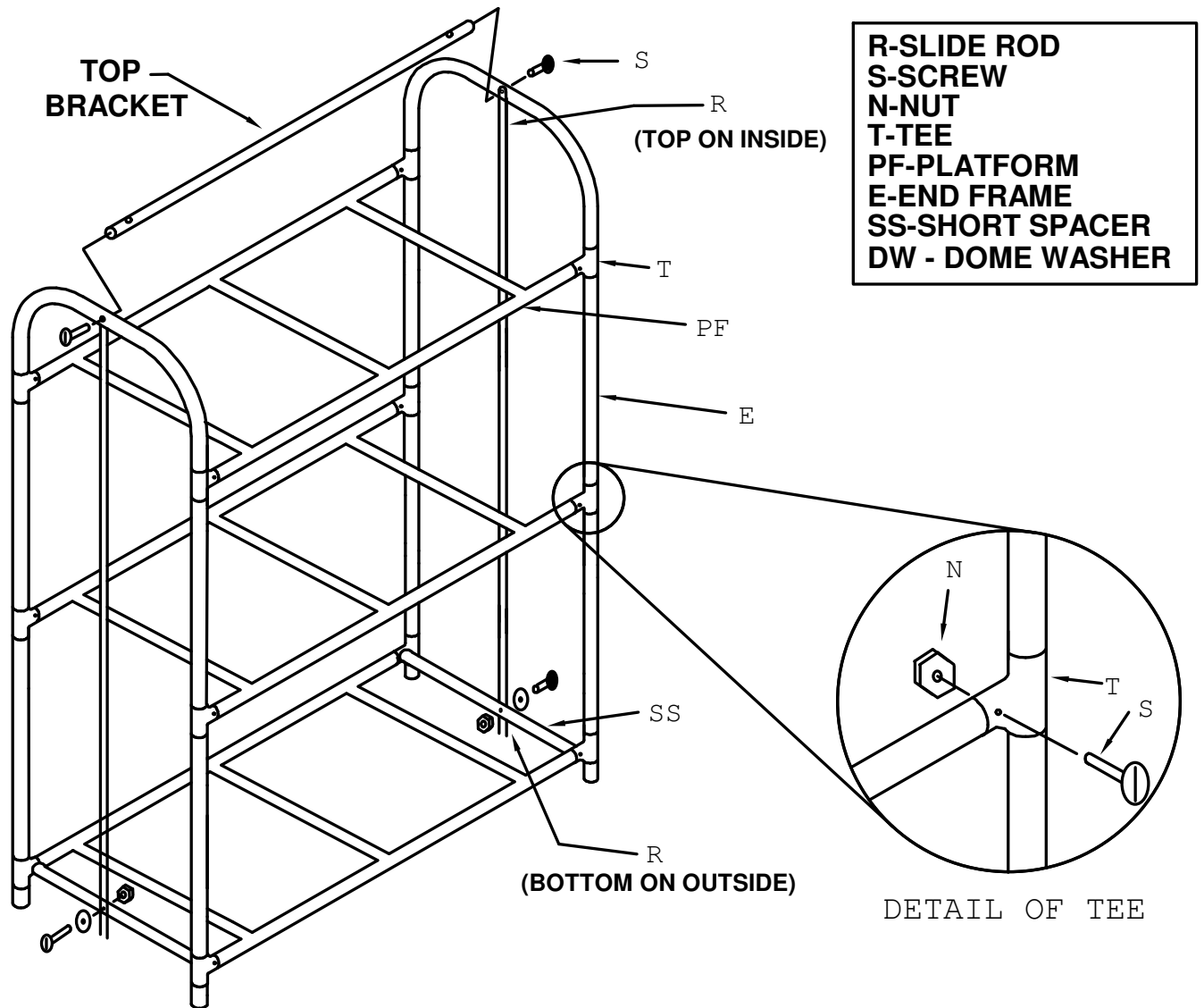


FLORA CART (BA3) ASSEMBLY INSTRUCTIONS

CODE	STAND PARTS	QTY
R	Slide rod	2
TB	Top bracket	1
E	End frame	2
P	Plant tray	3
SS	Short spacer	2
T	Tee	12
W	Wheel	4
PF	Platform (3 rd platform Packed with trays)	3
BAG KIT		
I	Wheel insert	4
S	Screw	16
N	Nut	10
DW	Domed washer	2
GC	Ground cord	1
YP	Yellow Plug (for tray)	3
C	Screw cover	2



- Place a tee **T** on one end of a platform **PF** and align the holes. Put a screw **S** through the holes and start a nut **N** on screw **S**. Repeat on the other three ends. (For the **BA3** do this step on two platforms.)
- For the **bottom shelf**, place a tee **T** on the end of the remaining platform **PF** and align the holes. Put a screw **S** through the holes and start screw into the threads in the short spacer **SS**. The short spacer **SS** should be a tight fit between the platform **PF** ends, and the indented hole should be on the **outside**. Continue on the other three ends.
- Insert the wheel inserts **I** into the bottom of the end frames **E**, the inserts may need to be hammered in.
- Place the end frame **E** (with the indented hole on the **INSIDE**) through the tees **T** of the top shelf, then the middle, and finally the bottom shelf. Repeat with other end frame **E**
- Position the top shelf as desired and tighten the screws **S**, (**use a large flat head screwdriver.**) Place the remaining shelves where desired and tighten the screws **S**.
- Insert a screw **S** into the top hole of the end frame **E**. With the head of the screw on the outside, hang slide rod **R** over the screw (**on the INSIDE of the stand**). Thread the screw into the top bracket. The holes of the top bracket should be on top.
- Position the bottom of the slide rod **R** on the outside of the short spacer **SS**. Place a screw **S** through the hole on the short spacer **SS** (with the head of the screw on the **INSIDE**), and between the slide rod **R** ends. Put a domed washer **DW** on the screw **S** with the indented side towards the slide rod **R** ends. Install and tighten a nut **N**. Place a screw cover **C** on the end of the screw **S**. Repeat on the other end.
- Insert the wheels **W** into the wheel inserts until locked into place.
- Place the plant trays **P** on the shelves, push yellow plugs into drain holes in trays. **Level the shelves** by loosening the screws **S** and adjusting the tees **T**.



R-SLIDE ROD
S-SCREW
N-NUT
T-TEE
PF-PLATFORM
E-END FRAME
SS-SHORT SPACER
DW - DOME WASHER

To Prevent Electrical Shock: Connect the eyelet of the enclosed ground cord to any bolt head. The other end should be connected to a ground point such as a water pipe or center screw of a grounded outlet. Please disconnect fixtures when watering plants.